

The A35 anchor's exclusive bending slot allows instant, accurate bending on site for all two and three-way ties.

Balanced, completely reversible design allows the A35 to be used to secure a wide variety of connections.

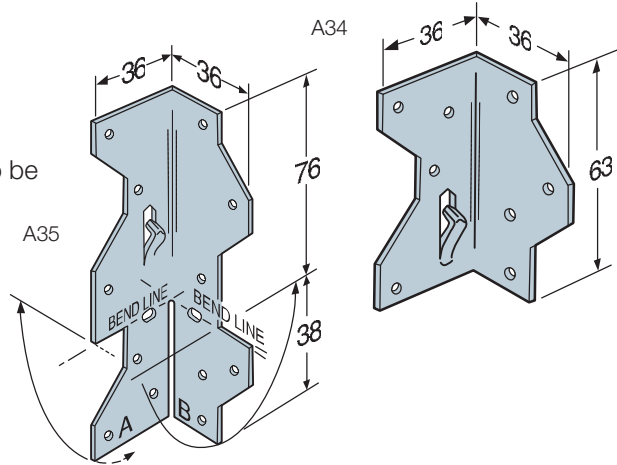
Material:

1.2mm pre-galvanised mild steel.

Installation:

Use all the specified fasteners.

See "General Notes" (page 12).

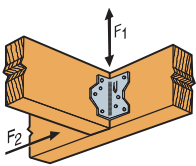


Model No.	Type of Connection	Fasteners (3.75mm x 30mm Square Twist)	Direction of Load	Safe Working Loads (kN) Long Term C16 Timber	Characteristic Capacity (kN) C24 Timber
A34	1	8	F1	1.30	0.97
			F2	1.06	0.63
A35	2	12	F1	1.30	1.33
			F2	1.46	0.89
	3	9	F1	0.98	0.60
			F2	0.64	0.59
			F3	0.98	0.46
	4	12	F1	0.98	1.03
F2			0.98	1.14	
F3			0.57	0.84	

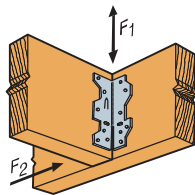
1. Safe working loads are for one anchor. When the anchors are installed on each side of the joist, the minimum joist thickness is 75mm.
2. Characteristic capacities are for one anchor. When anchors are installed on each side of the joist the minimum thickness is 47mm.
3. Some illustrations show connections that would cause cross-grain tension or bending of the wood during loading if not reinforced sufficiently. In which case, consider mechanical reinforcement.

Type of connections

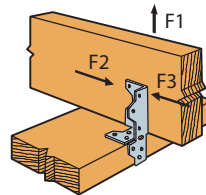
1: A34



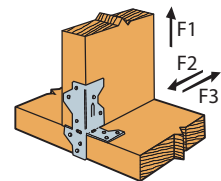
2: A35



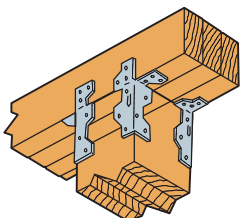
3: A35



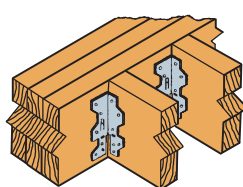
4: A35



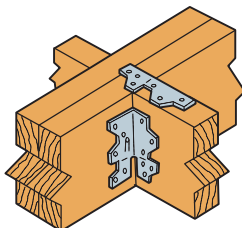
Beam to Posts
A and B Legs Outside



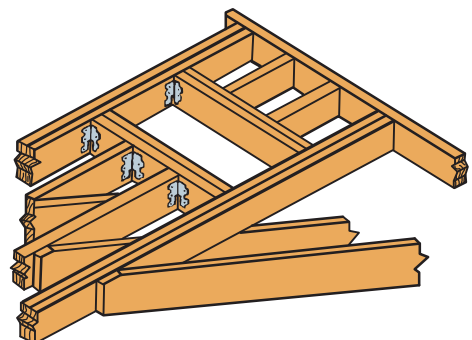
Ceiling Joists
To Beam



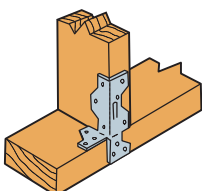
Joists
To Beam



Chimney Framing



Studs to Plate
with B Leg Outside



Joists to Plate
with A Leg Inside

