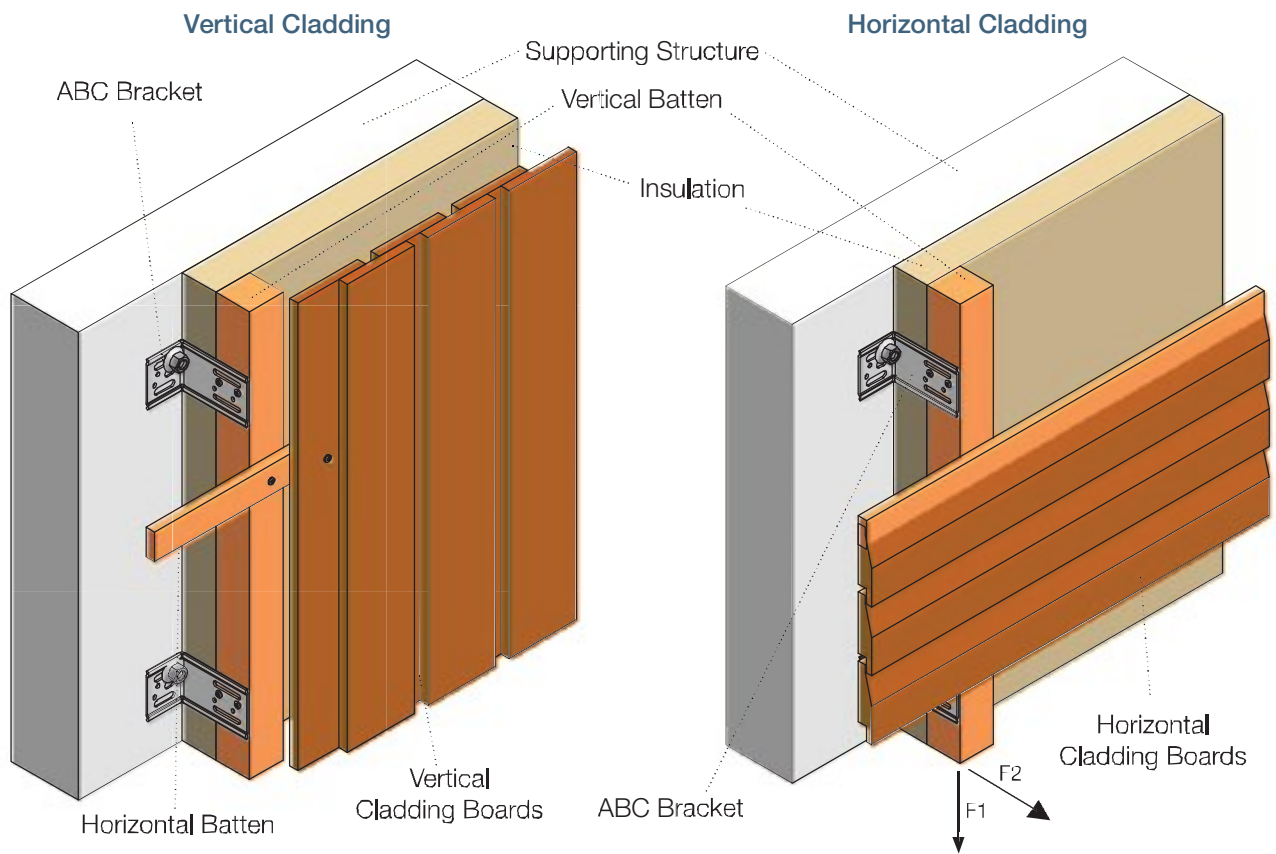
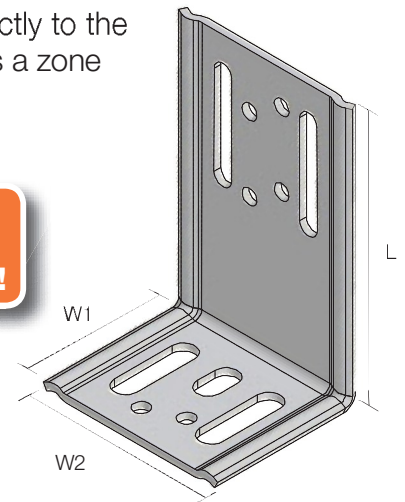


# ABC Angle Bracket for Cladding

The ABC angle bracket has been designed to fix vertical battens directly to the supporting structure without the need for additional battens, it creates a zone for insulation and/or ventilation between the wall and the cladding.

- Connect vertical battens directly to the supporting structure.
- No need for horizontal battens.
- Creates a zone for insulation or ventilation.
- Reduces installation time, materials and cost.
- Suitable for cavities 50mm to 145mm.



Item Reference	Dimensions (mm)			Fixings		Characteristic Values (kN) per 1 Bracket		
						Vertical		Horizontal (F2 on diagram above)
	Slip under load measured at extremity of bracket (F1 on diagram above)		1mm	3mm				
ABC100/2,5	52	65	97	1	2	0.22	0.36	1.56
ABC120/2,5	52	65	117					
ABC140/2,5	52	65	137					
ABC160/2,5	52	65	157					