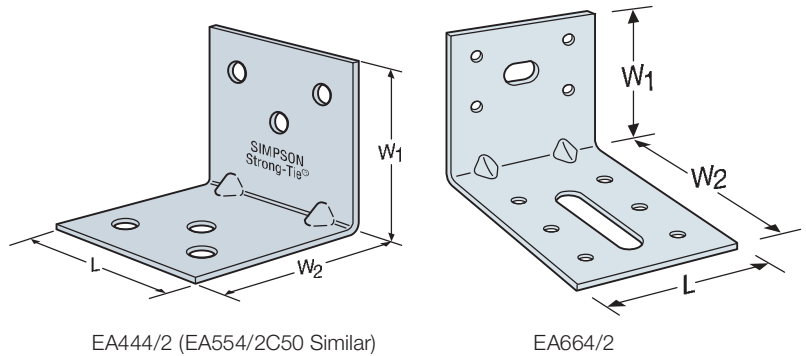


## EA Light Reinforced Angle Bracket

These angle brackets are used to assemble structural joinery for internal applications.

**Material:** Pre-galvanised mild steel.

Model No.	Dimensions (mm)				Fixing Holes	
	Thickness	W <sub>1</sub>	W <sub>2</sub>	L	Nails (5mm)	Bolts (11mm)
EA444/2C50	2.0	40	40	40	6	-
EA554/2C50	2.0	50	50	40	8	2
EA664/2C50	2.0	60	60	40	10	2
EA756/2C50	2.0	50	70	60	10	2

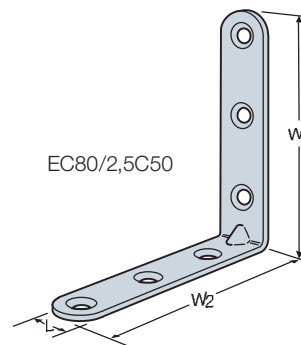


## EC Light Duty Angle Bracket

These angle brackets are used for many DIY applications. They are generally adapted to reinforce structural pieces of furniture.

**Material:** Pre-galvanised mild steel.

Model No.	Dimensions (mm)				Fixing Holes (5mm)
	Thickness	W <sub>1</sub>	W <sub>2</sub>	L	Screws
EC30/2C50	2.0	30	30	15	4 x 4.2mm
EC40/2C50	2.0	40	40	15	4 x 4.2mm
EC50/2C50	2.0	50	50	15	4 x 4.2mm
EC80/2,5C50	2.5	80	80	15	6 x 4.2mm
EC90/3C50	2.0	90	90	18	4 x 5.5mm

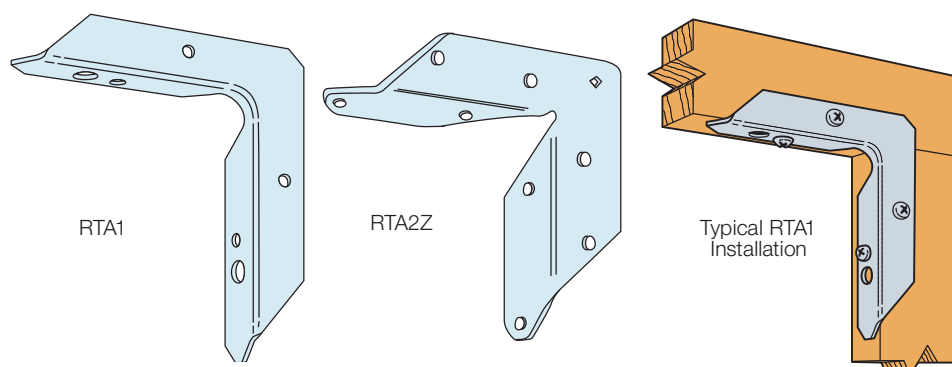


## RTA Light Duty Angles Bracket

These products allow the DIY individual to build shelves, tables, workbenches and utility furniture.

Rigid Tie Angles wrap around the wood members from two directions—obsoleting the need for angle bracing, gussets and plywood stiffeners in many wood construction projects. The RTA is ideal for gates, rectangular frame construction or any other project with right angles.

**Material:** RTA1—1.2mm; RTA2Z—1.5mm pre-galvanised mild steel.



Model No.	Min. Timber Size	Suggested Screws
RTA1	38mm	4 x No 6 Screw x 32
RTA2Z	38mm	8 x SD8 x 1.25