

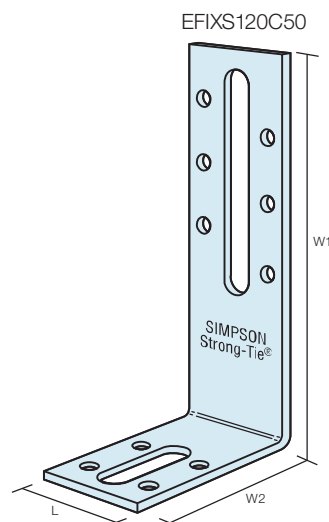
EFIXR/S Adjustable Angle Brackets

These angles are used for internal connections.

- Various bracket heights.
- Two slotted fixing holes for easier adjustment.

Material: Pre-galvanised mild steel.

Model No.	Dimensions (mm)				Fixing Holes	
	Thickness	W ₁	W ₂	L	Nails (5mm)	Bolt Slots (mm)
EFIXR553C50	2.0	50	50	30	8	6.5 x 30
						8.5 x 30
EFIXR753C50	2.0	70	50	30	9	6.5 x 50
						8.5 x 30
EFIXS100C50	2.5	98	52	30	10	6.5 x 65
						8.5 x 30
EFIXS120C50	3.0	117	52	30	10	6.5 x 65
						8.5 x 30

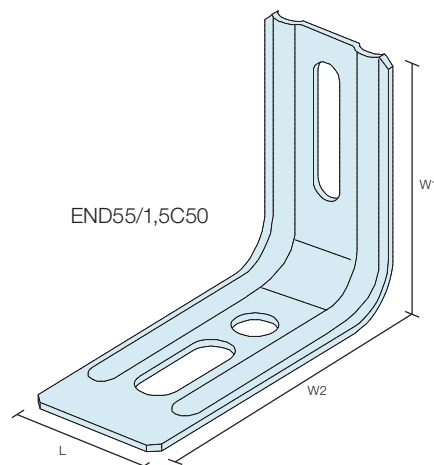


END Multi Angle Bracket

These angle brackets are designed to ensure versatility.

Material: Pre-galvanised mild steel.

Model No.	Dimensions (mm)				Fixing Holes/Slots	
	Thickness	W ₁	W ₂	L	Side W1	Side W2
END55/1,5C50	1.5	55	72	30	6.5x30mm Slot	9mm Hole
						9 x 25mm Slot
END100/1,5C50	1.5	100	72	30	2 x 6.5mm Hole	9mm Hole
					6.5x45mm Slot	9 x 25mm Slot



ES Nail Plate Angle Bracket

Simple angle brackets which are very versatile, used for timber to timber connections.

Material: Pre-galvanised mild steel.

Notes for table below.

1. 4.0 x 35mm refers to a 35mm length annular ring shank nail fastener with a diameter of 4mm.
2. 4.0 x 50mm refers to a 50mm length annular ring shank nail fastener with a diameter of 4mm.
3. Full nailing conditions apply.
4. Load capacities only apply when the bracket is fixed using 4mm diameter annular ring shank nails.

Model No.	No. of Nails		Dimensions (mm)				Characteristic Values (kN)			
	Leg W1	Leg W2	Thickness	W ₁	W ₂	L	Tension (F ₁)		Shear (F ₂ = F ₃)	
							Ø 4.0 x 35mm	Ø 4.0 x 50mm	Ø 4.0 x 35mm	Ø 4.0 x 50mm
ES10/40C50	5	5	2.5	60	60	40	2.4	3.1	2.3	3.1
ES10/60C50	8	8	2.5	60	60	60	3.6	4.9	5.6	7.4
ES11/60	11	11	2.5	80	80	60	3.6	4.9	7.3	9.8

