

JHMI/HJHMI Masonry Supported I-Joist Hangers



JHMI and HJHMI are one piece non-welded joist hangers for supporting timber joists, beams and trussed rafters from masonry walls.

- Built-in inspection slot at the base of the hanger to aid inspection from the ground.
- HJHMI: Heavy duty masonry hanger for higher load carrying capacity.
- Top flange provides widest area in contact with masonry support allowing superior performance. Embossments on JHMI stiffen top flange and holes allow improved mortar keying.
- Side flange is much higher than traditional style, providing greatly enhanced resistance to joist rotation.

Material:

JHMI and HJHMI: Pre-galvanised mild steel.

Installation:

- Use all specified fasteners. See "General Notes" (page 12).
- Set hanger back flange tight against block wall when built to desired level, then continue with additional courses to complete wall height. Joist should be tight into back of hanger when possible. Maximum gap permitted is 6mm.
- **Minimum 3 courses of solid block (675mm masonry) required above hanger with mortar fully cured before applying load.**
- JHMI hangers have two PAN or obround nail holes located so that nails can be driven at an angle into the lower chord of an I-joist. Web stiffeners may be required by the I-joist manufacturer.
- Do not stack blocks or heavy loads on the joists during construction unless the joists have additional support to take the full load of the blocks vertically and horizontally.
- JHMI range of joists hangers can be fixed to steel beams by means of powder actuated fasteners.
- The shot-fired pins must be installed by a qualified person in accordance with the manufacturer's installation requirements.

Options

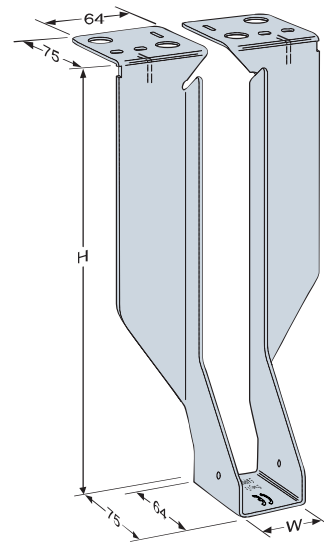
- Return configuration provides additional support by wrapping around three sides of the block. Designate "return" and length of return dimensions when ordering.
- Return hangers do not satisfy the requirements for lateral restraint type hangers.
- Straddle configuration provides two hangers connected across top of support enabling exact alignment on both sides of supporting wall.

JHMI Shot Fired to a Steel Girder

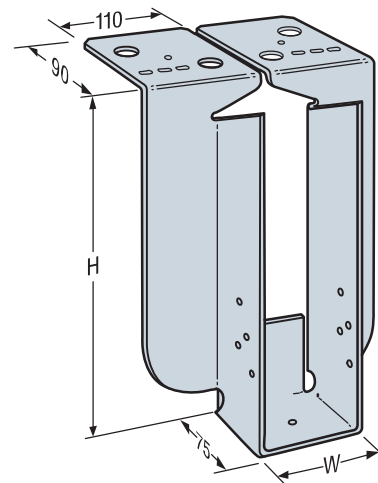
| Model No. | Fasteners | | Safe Working Load (kN) |
|-----------|---------------------|-----------------|------------------------|
| | Steel Support | Joist Nails | |
| JHMI | 4 - Shot Fired Pins | 2 - 3.75 x 30mm | 5.17 |

1. The above Safe Working Loads are based upon product tests using four No. Hilti 12mm X-EDNI steel pins fired through holes provided in the top flange of the hangers onto 4mm thick steel plate. Other pins may be used provided similar structural performance in verified by the pin manufacturer. Pin Head size must be sufficient to prevent pull through during loading.
2. The designer must ensure that the steel support member will support the imposed loads.
3. Install shot-fired pins in accordance with manufacturers instructions.

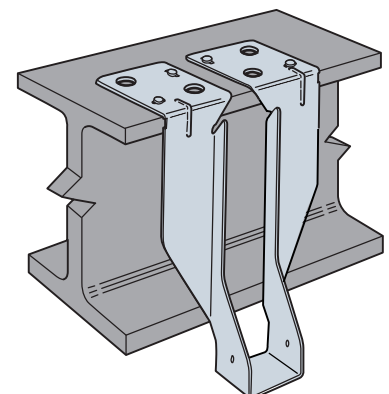
JHMI



HJHMI



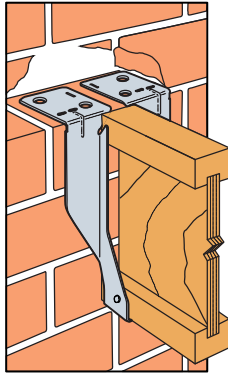
JHMI Shot-fired to steel



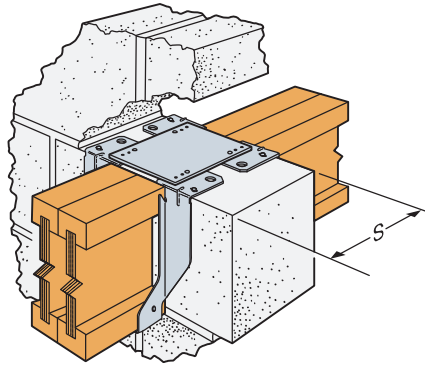
JHMI/HJHMI Masonry Supported I-Joist Hangers



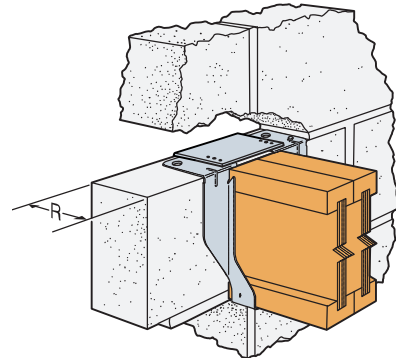
Typical JHMI Installation



JHMIS Straddle Configuration



JHMIR Return Configuration



JHMI HANGERS FOR ENGINEERED WOOD SIZES - LOADS

| Model | Joist Fasteners | | Safe Working Loads (kN) | | | Characteristic Capacity (kN) | | |
|-------|-----------------|---------|--------------------------------|--------------------------------|------------------------------|--------------------------------|--------------------------------|------------------------------|
| | | | Block Strength | | | Block Strength | | |
| | Qty | Nail | 2.8N/mm ² Solid AAC | 3.5N/mm ² Solid LAC | 7N/mm ² Solid DAC | 2.8N/mm ² Solid AAC | 3.5N/mm ² Solid LAC | 7N/mm ² Solid DAC |
| JHMI | 2 | 3.75x30 | 5.29 | 6.48 | 9.37 | 10.59 | 12.97 | 13.98 |

1. Loads are based upon tests conducted by CERAM Building Technology and are determined in accordance with and EN 845.
2. Loads apply to masonry blocks with a minimum compressive strength as indicated.
3. The block thickness must be at least the same size as the top flange depth (as shown in relevant illustrations).
4. For straddle hangers the minimum S dimension is 100mm.
5. 3.75 x 30mm refers to a square twist nail (not supplied with hanger).

HJHMI HANGERS FOR ENGINEERED WOOD SIZES - LOADS

| Size Range (mm) | | Joist Fasteners | | Safe Working Loads (kN) | | | Characteristic Capacity (kN) | | |
|-----------------|-----------|-----------------|-------------|--------------------------------|--------------------------------|------------------------------|--------------------------------|--------------------------------|------------------------------|
| Width | Height | | | Block Strength | | | Block Strength | | |
| Width | Height | Qty | Nail | 2.8N/mm ² Solid AAC | 3.5N/mm ² Solid LAC | 7N/mm ² Solid DAC | 2.8N/mm ² Solid AAC | 3.5N/mm ² Solid LAC | 7N/mm ² Solid DAC |
| 40 - 74 | 140 - 400 | 2 | 3.75 x 30mm | 8.01 | 8.01 | 15.00 | 16.02 | 16.02 | 30.01 |
| 75 - 200 | 140 - 400 | 2 | 3.75 x 30mm | 14.84 | 14.84 | 15.00 | 29.67 | 29.67 | 30.01 |
| 91 - 200 | 140 - 400 | 8 | 4.00 x 90mm | 14.84 | 14.84 | 20.88 | 29.67 | 29.67 | 41.76 |
| 201 - 300 | 140 - 400 | 2 | 3.75 x 30mm | 8.15 | 8.15 | 16.67 | 15.11 | 15.11 | 33.34 |

1. Test conducted by CERAM Building Technology in accordance with EN846-4 and evaluated in accordance with EN845-1.
2. 3.75 x 30mm refers to square twist nails.
3. Loads apply to solid block with minimum compressive strengths indicated. The block thickness must be at least the same size as the top flange length, as shown in the illustrations above. For straddle hangers the minimum S dimension is 100mm to achieve published loads, except for HJHM hangers which must be twice the top flange length of a single hanger.
4. Shading Indicates installation requires web stiffeners when used to support I-joists.

SKWEVED JHMI HANGERS - LOADS

| Model | Joist Fasteners | | Safe Working Loads (kN) | | |
|-------------|-----------------|-----------|--------------------------------|--------------------------------|------------------------------|
| | | | Block Strength | | |
| | Qty | Nail | 2.8N/mm ² Solid AAC | 3.5N/mm ² Solid LAC | 7N/mm ² Solid DAC |
| JHMI (1)(2) | 4 | 3.75x30mm | 5.05 | 5.17 | 5.17 |

1. Maximum width: 61mm
2. Maximum skew 45°

Continued On Next Page.

JHMI/HJHMI Masonry Supported I-Joist Hangers



®

JHMI Hangers for Engineered Wood

| Joist Size | | Model No. | Hanger Dimension (mm) | |
|---------------|---------|-------------|-----------------------|------------|
| Width | Height | | Width (W) | Height (H) |
| 38 | 114 | JHMI114/40 | 40 | 114 |
| | 140 | JHMI140/40 | 40 | 140 |
| | 184 | JHMI184/40 | 40 | 184 |
| | 195 | JHMI195/40 | 40 | 195 |
| | 220 | JHMI225/40 | 40 | 225 |
| | 240 | JHMI240/40 | 40 | 240 |
| | 300 | JHMI300/40 | 40 | 300 |
| | 350 | JHMI350/40 | 40 | 350 |
| 45 | 145 | JHMI145/47 | 47 | 145 |
| | 184 | JHMI184/47 | 47 | 184 |
| | 195 | JHMI195/47 | 47 | 195 |
| | 200 | JHMI200/47 | 47 | 200 |
| | 220 | JHMI225/47 | 47 | 225 |
| | 240 | JHMI240/47 | 47 | 240 |
| | 300 | JHMI300/47 | 47 | 300 |
| | 350 | JHMI350/47 | 47 | 350 |
| 47 | 145 | JHMI145/50 | 50 | 145 |
| | 195 | JHMI195/50 | 50 | 195 |
| | 225 | JHMI225/50 | 50 | 225 |
| | 235 | JHMI235/50 | 50 | 235 |
| | 240 | JHMI240/50 | 50 | 240 |
| | 245 | JHMI245/50 | 50 | 245 |
| | 300 | JHMI300/50 | 50 | 300 |
| | 350 | JHMI350/50 | 50 | 350 |
| | 400 | JHMI400/50 | 50 | 400 |
| | 400 | JHMI400/50 | 50 | 400 |
| 51 | 225 | JHMI225/53 | 53 | 225 |
| | 240 | JHMI240/53 | 53 | 240 |
| | 300 | JHMI300/53 | 53 | 300 |
| | 350 | JHMI350/53 | 53 | 350 |
| | 400 | JHMI400/53 | 53 | 400 |
| | 195 | JHMI195/61 | 61 | 195 |
| | 200 | JHMI200/61 | 61 | 200 |
| | 220 | JHMI225/61 | 61 | 225 |
| 58 or 60 | 235 | JHMI235/61 | 61 | 235 |
| | 240 | JHMI240/61 | 61 | 240 |
| | 245 | JHMI245/61 | 61 | 245 |
| | 300 | JHMI300/61 | 61 | 300 |
| | 350 | JHMI350/61 | 61 | 350 |
| | 400 | JHMI400/61 | 61 | 400 |
| | 195 | JHMI195/66 | 66 | 195 |
| | 220-225 | JHMI225/66 | 66 | 225 |
| 63 | 235 | JHMI235/66 | 66 | 235 |
| | 240 | JHMI240/66 | 66 | 240 |
| | 245 | JHMI245/66 | 66 | 245 |
| | 300 | JHMI300/66 | 66 | 300 |
| | 350 | JHMI350/66 | 66 | 350 |
| | 400 | JHMI400/66 | 66 | 400 |
| | 220 | JHMI225/70 | 70 | 225 |
| | 240 | JHMI240/70 | 70 | 240 |
| 68 | 245 | JHMI245/70 | 70 | 245 |
| | 300 | JHMI300/70 | 70 | 300 |
| | 350 | JHMI350/70 | 70 | 350 |
| | 400 | JHMI400/70 | 70 | 400 |
| | 200 | JHMI200/72 | 72 | 200 |
| 70 | 220 | JHMI225/72 | 72 | 225 |
| | 240 | JHMI240/72 | 72 | 240 |
| | 300 | JHMI300/72 | 72 | 300 |
| | 350 | JHMI350/72 | 72 | 350 |
| | 400 | JHMI400/72 | 72 | 400 |
| 72 | 195 | JHMI195/75 | 75 | 195 |
| | 220 | JHMI225/75 | 75 | 225 |
| | 235 | JHMI235/75 | 75 | 235 |
| | 245 | JHMI245/75 | 75 | 245 |
| | 300 | JHMI300/75 | 75 | 300 |
| | 350 | JHMI350/75 | 75 | 350 |
| | 400 | JHMI400/75 | 75 | 400 |
| | 200 | JHMI200/77 | 77 | 200 |
| 2ply 38 | 114 | JHMI114/78 | 78 | 114 |
| | 140 | JHMI140/78 | 78 | 140 |
| | 184 | JHMI184/78 | 78 | 184 |
| | 220 | JHMI225/78 | 78 | 225 |
| | 235 | JHMI235/78 | 78 | 235 |
| | 240 | JHMI240/78 | 78 | 240 |
| | 300 | JHMI300/78 | 78 | 300 |
| | 350 | JHMI350/78 | 78 | 350 |
| 2ply 45 or 89 | 184 | JHMI184/91 | 91 | 184 |
| | 195 | JHMI195/91 | 91 | 195 |
| | 200 | JHMI200/91 | 91 | 200 |
| | 220 | JHMI225/91 | 91 | 225 |
| | 235 | JHMI235/91 | 91 | 235 |
| | 240 | JHMI240/91 | 91 | 240 |
| | 245 | JHMI245/91 | 91 | 245 |
| | 300 | JHMI300/91 | 91 | 300 |
| | 350 | JHMI350/91 | 91 | 350 |
| | 400 | JHMI400/91 | 91 | 400 |
| 2ply 47 | 195 | JHMI195/96 | 96 | 195 |
| | 225 | JHMI225/96 | 96 | 225 |
| | 235 | JHMI235/96 | 96 | 235 |
| | 240 | JHMI240/96 | 96 | 240 |
| | 245 | JHMI245/96 | 96 | 245 |
| | 300 | JHMI300/96 | 96 | 300 |
| | 350 | JHMI350/96 | 96 | 350 |
| | 400 | JHMI400/96 | 96 | 400 |
| 97 | 195 | JHMI195/100 | 100 | 195 |
| | 220 | JHMI225/100 | 100 | 225 |
| | 245 | JHMI245/100 | 100 | 245 |
| | 300 | JHMI300/100 | 100 | 300 |
| | 350 | JHMI350/100 | 100 | 350 |
| | 400 | JHMI400/100 | 100 | 400 |

HJHMI Hangers for Engineered Wood

| Joist Size | | Model No. | Hanger Dimension (mm) | |
|---------------|---------|--------------|-----------------------|------------|
| Width | Height | | Width (W) | Height (H) |
| 45 | 225 | HJHMI225/47 | 47 | 225 |
| | 240 | HJHMI240/47 | 47 | 240 |
| | 300 | HJHMI300/47 | 47 | 300 |
| | 350 | HJHMI350/47 | 47 | 350 |
| | 400 | HJHMI400/47 | 47 | 400 |
| | 225 | HJHMI225/50 | 50 | 225 |
| | 235 | HJHMI235/50 | 50 | 235 |
| | 240 | HJHMI240/50 | 50 | 240 |
| 47 | 245 | HJHMI245/50 | 50 | 245 |
| | 300 | HJHMI300/50 | 50 | 300 |
| | 350 | HJHMI350/50 | 50 | 350 |
| | 400 | HJHMI400/50 | 50 | 400 |
| | 195 | HJHMI195/66 | 66 | 195 |
| | 225 | HJHMI225/66 | 66 | 225 |
| | 235 | HJHMI235/66 | 66 | 235 |
| | 245 | HJHMI245/66 | 66 | 245 |
| 63 | 300 | HJHMI300/66 | 66 | 300 |
| | 350 | HJHMI350/66 | 66 | 350 |
| | 400 | HJHMI400/66 | 66 | 400 |
| | 200 | HJHMI200/72 | 72 | 200 |
| | 225 | HJHMI225/72 | 72 | 225 |
| | 240 | HJHMI240/72 | 72 | 240 |
| | 300 | HJHMI300/72 | 72 | 300 |
| | 350 | HJHMI350/72 | 72 | 350 |
| 70 | 400 | HJHMI400/72 | 72 | 400 |
| | 195 | HJHMI195/75 | 75 | 195 |
| | 225 | HJHMI225/75 | 75 | 225 |
| | 235 | HJHMI235/75 | 75 | 235 |
| | 245 | HJHMI245/75 | 75 | 245 |
| | 300 | HJHMI300/75 | 75 | 300 |
| | 350 | HJHMI350/75 | 75 | 350 |
| | 400 | HJHMI400/75 | 75 | 400 |
| 2ply 38 | 195 | HJHMI195/78 | 78 | 195 |
| | 220 | HJHMI225/78 | 78 | 225 |
| | 235 | HJHMI235/78 | 78 | 235 |
| | 240 | HJHMI240/78 | 78 | 240 |
| | 245 | HJHMI245/78 | 78 | 245 |
| | 300 | HJHMI300/78 | 78 | 300 |
| | 400 | HJHMI400/78 | 78 | 400 |
| | 145 | HJHMI145/91 | 91 | 145 |
| 2ply 45 or 89 | 184 | HJHMI184/91 | 91 | 184 |
| | 195 | HJHMI195/91 | 91 | 195 |
| | 200 | HJHMI200/91 | 91 | 200 |
| | 220 | HJHMI225/91 | 91 | 225 |
| | 235 | HJHMI235/91 | 91 | 235 |
| | 240 | HJHMI240/91 | 91 | 240 |
| | 245 | HJHMI245/91 | 91 | 245 |
| | 300 | HJHMI300/91 | 91 | 300 |
| 2ply 47 | 350 | HJHMI350/91 | 91 | 350 |
| | 400 | HJHMI400/91 | 91 | 400 |
| | 195 | HJHMI195/96 | 96 | 195 |
| | 220 | HJHMI225/96 | 96 | 225 |
| | 235 | HJHMI235/96 | 96 | 235 |
| | 240 | HJHMI240/96 | 96 | 240 |
| | 245 | HJHMI245/96 | 96 | 245 |
| | 300 | HJHMI300/96 | 96 | 300 |
| 97 | 350 | HJHMI350/96 | 96 | 350 |
| | 400 | HJHMI400/96 | 96 | 400 |
| | 195 | HJHMI195/100 | 100 | 195 |
| | 220 | HJHMI225/100 | 100 | 225 |
| | 245 | HJHMI245/100 | 100 | 245 |
| | 300 | HJHMI300/100 | 100 | 300 |
| | 350 | HJHMI350/100 | 100 | 350 |
| | 400 | HJHMI400/100 | 100 | 400 |
| 2ply 51 | 450 | HJHMI450/100 | 100 | 450 |
| | 240 | HJHMI240/105 | 105 | 240 |
| | 300 | HJHMI300/105 | 105 | 300 |
| | 350 | HJHMI350/105 | 105 | 350 |
| | 400 | HJHMI400/105 | 105 | 400 |
| | 195 | HJHMI195/120 | 120 | 195 |
| | 200 | HJHMI200/120 | 120 | 200 |
| | 220 | HJHMI225/120 | 120 | 225 |
| 58 or 2ply 60 | 235 | HJHMI235/120 | 120 | 235 |
| | 240 | HJHMI240/120 | 120 | 240 |
| | 245 | HJHMI245/120 | 120 | 245 |
| | 300 | HJHMI300/120 | 120 | 300 |
| | 350 | HJHMI350/120 | 120 | 350 |
| | 400 | HJHMI400/120 | 120 | 400 |
| | 195 | HJHMI195/129 | 129 | 195 |
| | 220-225 | HJHMI225/129 | 129 | 225 |
| 2ply 63 | 240 | HJHMI240/129 | 129 | 240 |
| | 300 | HJHMI300/129 | 129 | 300 |
| | 400 | HJHMI400/129 | 129 | 400 |
| | 225 | HJHMI225/142 | 142 | 225 |
| | 240 | HJHMI240/142 | 142 | 240 |
| | 300 | HJHMI300/142 | 142 | 300 |
| | 350 | HJHMI350/142 | 142 | 350 |
| | 400 | HJHMI400/142 | 142 | 400 |
| 2ply 70 | 195 | HJHMI195/146 | 146 | 195 |
| | 220 | HJHMI225/146 | 146 | 225 |
| | 235 | HJHMI235/146 | 146 | 235 |
| | 245 | HJHMI245/146 | 146 | 245 |
| | 300 | HJHMI300/146 | 146 | 300 |
| | 350 | HJHMI350/146 | 146 | 350 |
| | 400 | HJHMI400/146 | 146 | 400 |
| | 225 | HJHMI225/146 | 146 | 225 |

| Joist Size | | Model No. | Hanger Dimension (mm) | |
|---------------------|--------|--------------|-----------------------|------------|
| Width | Height | | Width (W) | Height (H) |
| 4ply 45 or 1ply 178 | 184 | HJHMI184/180 | 180 | 184 |
| | 195 | HJHMI195/180 | 180 | 195 |
| | 220 | HJHMI225/180 | 180 | 225 |
| | 225 | HJHMI225/180 | 180 | 225 |
| | 235 | HJHMI235/180 | 180 | 235 |
| | 240 | HJHMI240/180 | 180 | 240 |
| | 300 | HJHMI300/180 | 180 | 300 |
| | 350 | HJHMI350/180 | 180 | 350 |
| 2ply 90 | 400 | HJHMI400/180 | 180 | 400 |
| | 220 | HJHMI225/184 | 184 | 225 |
| | 240 | HJHMI240/184 | 184 | 240 |
| | 300 | HJHMI300/184 | 184 | 300 |
| | 350 | HJHMI350/184 | 184 | 350 |
| | 400 | HJHMI400/184 | 184 | 400 |
| | 195 | HJHMI195/196 | 196 | 195 |
| | 220 | HJHMI225/196 | 196 | 225 |
| 2ply 97 | 235 | HJHMI235/196 | 196 | 235 |
| | 245 | HJHMI245/196 | 196 | 245 |
| | 300 | HJHMI300/196 | 196 | 300 |
| | 350 | HJHMI350/196 | 196 | 350 |
| | 400 | HJHMI400/196 | 196 | 400 |
| | 450 | HJHMI450/196 | 196 | 450 |
| | 225 | HJHMI225/212 | 212 | 225 |
| | 240 | HJHMI240/212 | 212 | 240 |
| 3ply 70 | 300 | HJHMI300/212 | 212 | 300 |
| | 350 | HJHMI350/212 | 212 | 350 |
| | 400 | HJHMI400/212 | 212 | 400 |
| | 400 | HJHMI400/212 | 212 | 400 |