

# SES Simpson End Seal

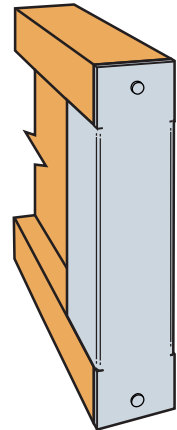
Simpson End Seal: One solution for air leakage and sound transference requirements.

The SES Simpson End Seal provides a fast and effective solution to reduce air leakage through 'pocket masonry' in block walls. Once installed, it removes the need for mastic sealant around the perimeter of joists (subject to good workmanship when mortar keying).

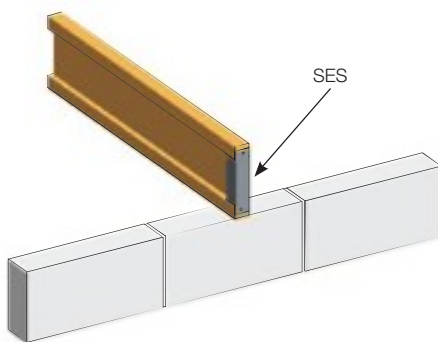
The SES is a cost effective way to help comply with the requirements of Part L (reduced air leakage) and Part E (reduced sound transference).

The SES allows for a full 100mm bearing of joist onto masonry walls.

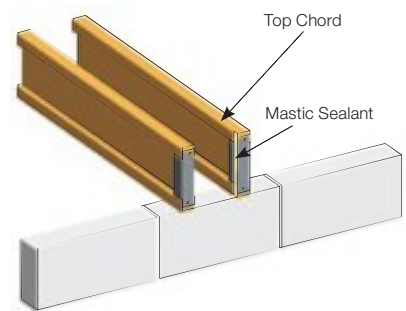
- Air leakage - reduces air leakage without the need for mastic sealant.
- Sound - meets the sound requirements of a proprietary joist cap as specified by Appendix A, Robust Details Part E Handbook.
- Fire - provides 1 hour of fire resistance (in compliance with Approved Document B).
- Can be used on external and party walls.
- Meets the NHBC Technical requirements.
- Secure fixing - provided by 30mm Square Twist Nails.



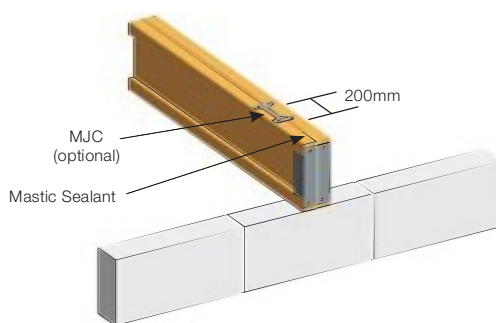
**Step 1:** Prepare block work to accept floor joists - no need for mortar on top. Position floor joists onto wall (only one joist shown for clarity). Fit the End Seal to the end of the joist as shown. Ensure that the End Seal is tight against the joist end and secure with two 3.75x30 square twist nails.



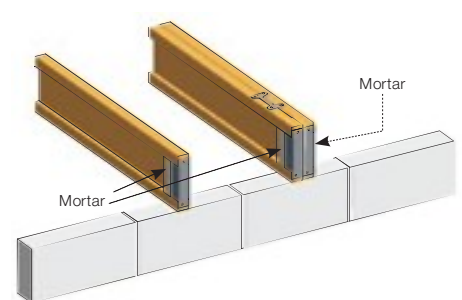
**Step 2:** When preparing a double joist, repeat installation step 1 on the second I-Joist. Apply mastic sealant to the inside face of the End Seal between the joists (see diagram) and to the top and bottom chords of the I-Joist.



**Step 3:** Join the I-joists together, checking that the mastic sealant has been compressed between the end seals. It is recommended that the I-joists are joined together using 2 MJC (multi joist connector), one on top and one on the bottom of the I-joist at 200mm from the bearing point (SDW screws can be used as an alternative to MJC).

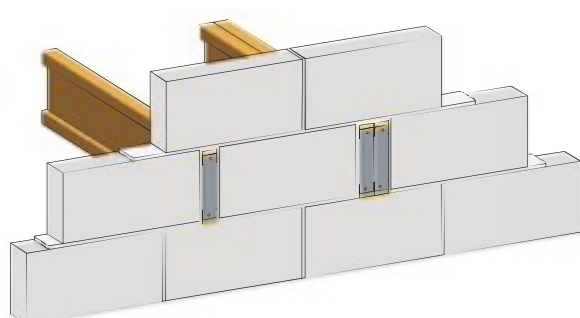


**Step 4:** Apply mortar to the void between the top and bottom chords of the I-joist on both sides of a single joist and to the outsides of a double joist, ensuring the mortar is packed against the End Seal.



**Step 5:** Lay a bed of mortar onto the top of the blocks ensuring mortar is laid tight up against the joist end. Lay blocks either side of the joist, ensuring mortar is applied to the block ends, completely fill all joints.

Lay the next bed of mortar on top of the blocks. Continue to build the wall as normal.



Check with I-Joist manufacturer.

# SES Simpson End Seal

## END SEAL OPTIONS AVAILABLE

Flange Height	Joist Dimensions (mm)		Item Code
	Height	Width	
39	200	38	SES118/38
39	220	38	SES138/38
39	240	38	SES158/38
39	300	38	SES218/38
39	200	45	SES118/45
28	220	45	SES158/45
39	220	45	SES138/45
39	240	45	SES158/45
28	241	45	SES179/45
39	300	45	SES218/45
28	302	45	SES240/45
39	360	45	SES278/45
39	400	45	SES318/45
45	195	47	SES101/47
45	220	47	SES124/47
45	235	47	SES141/47
45	245	47	SES151/47
45	300	47	SES206/47
28	220	51	SES158/51
28	241	51	SES179/51
28	302	51	SES240/51
28	356	51	SES294/51
39	200	58	SES118/58
39	220	58	SES138/58
39	240	58	SES158/58
39	300	58	SES218/58
39	360	58	SES278/58
39	400	58	SES318/58
38	220	59	SES138/39
38	241	59	SES159/59
28	241	59	SES179/59
38	302	59	SES220/59
28	301	59	SES240/59
38	356	59	SES274/59
28	356	59	SES294/59
38	406	59	SES324/59

## END SEAL OPTIONS AVAILABLE

Flange Height	Joist Dimensions (mm)		Item Code
	Height	Width	
45	195	63	SES101/63
45	220	63	SES126/63 SES
45	235	63	SES141/63
38	225	63	SES143/63
45	245	63	SES151/63
38	241	63	SES159/63
45	300	63	SES206/63
38	302	63	SES220/63
38	356	63	SES274/63
38	406	63	SES324/63
39	200	70	SES118/70
39	220	70	SES138/70
39	240	70	SES158/70
39	300	70	SES218/70
39	360	70	SES278/70
39	400	70	SES318/70
45	195	72	SES101/72
45	220	72	SES126/72
45	245	72	SES151/72
45	300	72	SES206/72
45	350	72	SES256/72
45	400	72	SES306/72
39	200	89	SES118/89
38	220	89	SES138/89
39	220	89	SES138/89
38	225	89	SES143/89
39	240	89	SES158/89
38	241	89	SES158/89
39	300	89	SES218/89
38	302	89	SES220/89
38	356	89	SES274/89
39	360	89	SES278/89
39	400	89	SES318/89
38	406	89	SES324/89
45	195	97	SES101/97
45	220	97	SES126/97
45	245	97	SES151/97
45	300	97	SES206/97
45	350	97	SES256/97
45	400	97	SES306/97
45	450	97	SES356/97