

SFHI/SFWHI Safety Fast Masonry Restraint Hangers



The SFHI Safety Fast Hangers are an innovative range of products that have been designed to support timber joists, beams and trussed rafters from masonry walls without the need of supporting masonry above the top flange.

- Requires no masonry above the top flange to achieve the published performance values.
- Improved vertical and lateral load distribution.
- Mini Strap simply hooks onto the hanger.
- Enables the construction of the floor deck prior to the next lift of masonry.
- Reduces Health & Safety risks associated with the use of the traditional masonry hangers with no masonry above.
- Eliminates the need for propping.
- Mini Strap provides lateral restraint capacity in accordance with NHBC guidelines.
- Allows for retrofit of lateral restraint straps.
- Web stiffeners are not required with I-joist to achieve the performance values.

Material:

SFHI: 2.5mm pre-galvanised mild steel.

SFWHI: 2.5mm mild steel

Mini Strap - 1.0mm pre-galvanised mild steel.

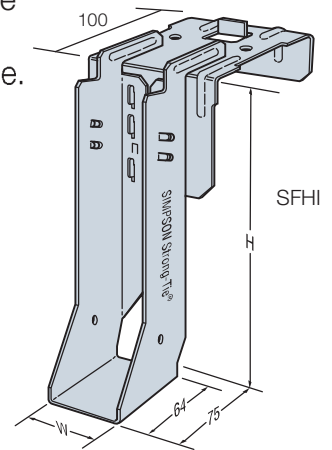
FINISH: SFWHI: Hot-dip galvanised.

Installation:

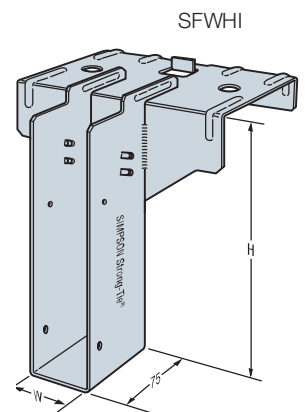
- Use all specified nails.
- Build masonry to required level, ensuring any coursing bricks or blocks are at least one course below the supporting block, and leave to cure.
- Place the Safety Fast Restraint Hanger over the inner leaf of blockwork, ensuring the bearing plate is fully located onto the top of the masonry, sitting tight against the front face and top of the blockwork.
- Sit the floor joists into the masonry hanger and ensure all joists are correctly installed. The joists should be tight into the back of the hanger where possible. The maximum gap between the back of the hanger and the end of the joist is 6mm.
- Clip the Safety Fast Mini Strap onto the restraining hooks on the side of the hanger and nail to the side face of the joist with three No. 3.75x30mm square twist nails. **INSTALL ONLY ONE PER HANGER - EITHER SIDE OF THE HANGER.**

General Installation Notes

- The floor decking may be stored on the joists provided the load is uniformly distributed between the several joists and does not exceed the hanger or joist capacities. Refer to joist manufacturer or supplier for joist capacity and maximum construction loads.
- The floor decking must be securely attached to each joist before additional loads can be placed on the system.
- Floor decking and blockwork is to be cut where necessary to fit around the upstand stiffeners.
- Pallets of blocks or other construction materials should be placed onto the scaffolding and NOT directly onto the floor. The materials can then be evenly distributed around the floor manually, ensuring hanger or joist capacities are not exceeded.

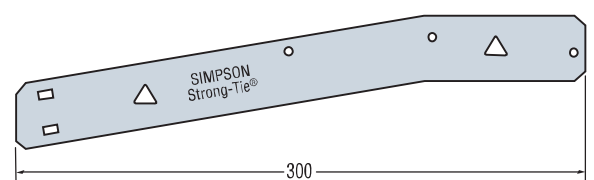


PATENT NOS.
GB2316103, GB2354267
GB2390380
PATENT EP1200684

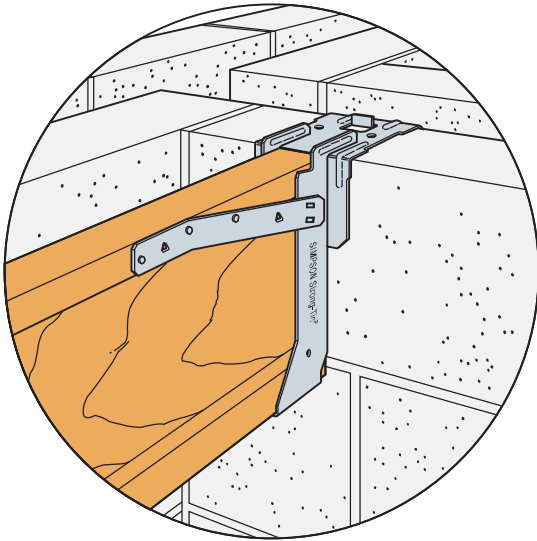


PATENT NOS.
GB2354267, GB2390380
PATENT EP1200684

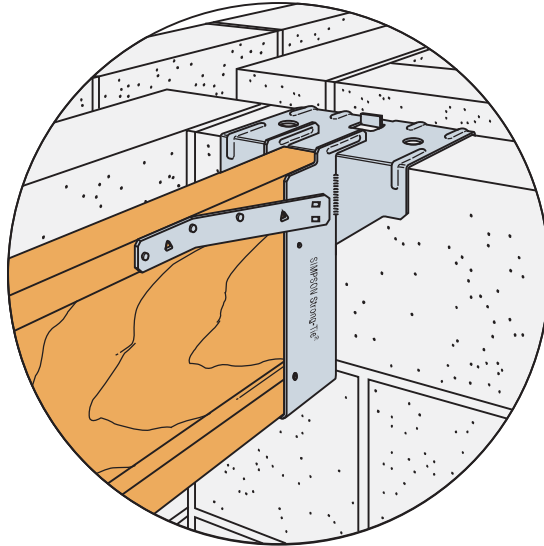
Mini Strap
(included with the Safety Fast Hanger)



TYPICAL SFHI INSTALLATION



TYPICAL SFWHI INSTALLATION



SFHI/SFWHI HANGER LOADS

Model No.	Joist Width	Joist Fasteners				Safe Working Loads (kN)			Characteristic Capacity (kN)	
						Block Strength			Block Strength	
		Hanger		MiniStrap		2.8N/mm ² Solid AAC	3.5N/mm ² Solid LAC	7N/mm ² Solid DAC	3.5N/mm ² Solid LAC	7N/mm ² Solid DAC
		Qty	Nail	Qty	Nail					
SFHI	< 61mm	2	3.75 x 30	3	3.75 x 30	5.34	6.67	6.67	13.34	13.34
	>66mm	2	3.75 x 30	3	3.75 x 30	9.98	12.47	12.47	17.47	17.47
SFWHI	<61mm	2	3.75 x 30	3	3.75 x 30	7.44	9.30	9.30	18.59	18.59
	>66mm	2	3.75 x 30	3	3.75 x 30	11.58	14.47	14.47	28.97	28.94

1. Tests conducted by CERAM Building Technology in accordance with EN846-4 and evaluated in accordance with EN845-1.
2. Stated loads are achieved without masonry above the hangertop flange.
3. The block thickness must be the same as the top plate width.
4. The lateral capacity when installed with the FMS ministrap exceeds that provided by traditional straps placed at 2m centres.
5. 3.75 x 30 refers to a square twist nail (not supplied with hanger).

SFHI/SFWHI Safety Fast Masonry Restraint Hangers



SFHI HANGERS

Joist Size		Model No.	Hanger Dimension (mm)	
Width	Height		Width (W)	Height (H)
38	195	SFHI195/40/100	40	195
	200	SFHI200/40/100	40	200
	220	SFHI225/40/100	40	225
	235	SFHI235/40/100	40	235
	240	SFHI240/40/100	40	240
300	SFHI300/40/100	40	300	
45	195	SFHI195/47/100	47	195
	200	SFHI200/47/100	47	200
	220	SFHI225/47/100	47	225
	235	SFHI235/47/100	47	235
	240	SFHI240/47/100	47	240
	245	SFHI245/47/100	47	245
300	SFHI300/47/100	47	300	
47	195	SFHI195/50/100	50	195
	225	SFHI225/50/100	50	225
	235	SFHI235/50/100	50	235
	240	SFHI240/50/100	50	235
	245	SFHI245/50/100	50	245
300	SFHI300/50/100	50	300	
51	240	SFHI240/53/100	53	240
	300	SFHI300/53/100	53	300
58 or 60	195	SFHI195/61/100	61	195
	200	SFHI200/61/100	61	200
	220	SFHI225/61/100	61	225
	235	SFHI235/61/100	61	235
	240	SFHI240/61/100	61	240
	245	SFHI245/61/100	61	245
300	SFHI300/61/100	61	300	
63	195	SFHI195/66/100	66	195
	225	SFHI225/66/100	66	225
	235	SFHI235/66/100	66	235
	240	SFHI240/66/100	66	240
	245	SFHI245/66/100	66	245
300	SFHI300/66/100	66	300	
70	220	SFHI225/72/100	72	225
	240	SFHI240/72/100	72	240
	300	SFHI300/72/100	72	300
72	195	SFHI195/75/100	75	195
	220	SFHI225/75/100	75	220
	235	SFHI235/75/100	75	235
	245	SFHI245/75/100	75	245
	300	SFHI300/75/100	75	300
2ply 38	195	SFHI195/78/100	78	195
	200	SFHI200/78/100	78	200
	220	SFHI225/78/100	78	225
	235	SFHI235/78/100	78	235
	240	SFHI240/78/100	78	240
	300	SFHI300/78/100	78	300
2ply 45 or 89	195	SFHI195/91/100	91	195
	200	SFHI200/91/100	91	200
	220	SFHI225/91/100	91	225
	235	SFHI235/91/100	91	235
	240	SFHI240/91/100	91	240
	245	SFHI245/91/100	91	245
300	SFHI300/91/100	91	300	
2ply 47	220	SFHI225/96/100	96	225
	235	SFHI235/96/100	96	235
	240	SFHI240/96/100	96	240
	245	SFHI245/96/100	96	245
	300	SFHI300/96/100	96	300
97	195	SFHI195/100/100	100	195
	220	SFHI225/100/100	100	225
	235	SFHI235/100/100	100	235
	240	SFHI240/100/100	100	240
	245	SFHI245/100/100	100	245
300	SFHI300/100/100	100	300	

SFWHI HANGERS

Joist Size		Model No.	Hanger Dimension (mm)	
Width	Height		Width (W)	Height (H)
70	220	SFWHI225/72/100	72	225
	240	SFWHI240/72/100	72	240
	300	SFWHI300/72/100	72	300
	350	SFWHI350/72/100	72	350
	400	SFWHI400/72/100	72	400
	450	SFWHI450/72/100	72	450
2ply 38	195	SFWHI195/78/100	78	195
	220	SFWHI225/78/100	78	225
	235	SFWHI235/78/100	78	235
	240	SFWHI240/78/100	78	240
	245	SFWHI245/78/100	78	245
	300	SFWHI300/78/100	78	300
	350	SFWHI350/78/100	78	350
	400	SFWHI400/78/100	78	400
2ply 45 or 90	195	SFWHI195/91/100	91	195
	200	SFWHI200/91/100	91	200
	220	SFWHI225/91/100	91	225
	235	SFWHI235/91/100	91	235
	240	SFWHI240/91/100	91	240
	245	SFWHI245/91/100	91	245
	300	SFWHI300/91/100	91	300
	350	SFWHI350/91/100	91	350
2ply 47	195	SFWHI195/96/100	96	195
	220	SFWHI225/96/100	96	220
	235	SFWHI235/96/100	96	235
	240	SFWHI240/96/100	96	240
	245	SFWHI245/96/100	96	245
	300	SFWHI300/96/100	96	300
	350	SFWHI350/96/100	96	350
	400	SFWHI400/96/100	96	400
97	195	SFWHI195/100/100	100	195
	220	SFWHI225/100/100	100	225
	235	SFWHI235/100/100	100	235
	245	SFWHI245/100/100	100	245
	300	SFWHI300/100/100	100	300
	350	SFWHI350/100/100	100	350
	400	SFWHI400/100/100	100	400
	450	SFWHI450/100/100	100	450
2ply 51	240	SFWHI240/105/100	105	240
	300	SFWHI300/105/100	105	300
	350	SFWHI350/105/100	105	350
2ply 58 or 60	195	SFWHI195/120/100	120	195
	200	SFWHI200/120/100	120	200
	220	SFWHI225/120/100	120	225
	235	SFWHI235/120/100	120	235
	240	SFWHI240/120/100	120	240
	245	SFWHI245/120/100	120	245
	300	SFWHI300/120/100	120	300
	350	SFWHI350/120/100	120	350
2ply 63	195	SFWHI195/129/100	129	195
	220-225	SFWHI225/129/100	129	225
	235	SFWHI235/129/100	129	235
	240	SFWHI240/129/100	129	240
	245	SFWHI245/129/100	129	245
	300	SFWHI300/129/100	129	300
350	SFWHI350/129/100	129	350	
400	SFWHI400/129/100	129	400	

SFWHI HANGERS

Joist Size		Model No.	Hanger Dimension (mm)	
Width	Height		Width (W)	Height (H)
3ply 45 or 135	184	SFWHI184/135/100	135	184
	200	SFWHI200/135/100	135	200
	220	SFWHI225/135/100	135	225
	240	SFWHI240/135/100	135	240
	245	SFWHI245/135/100	135	245
	300	SFWHI300/135/100	135	300
	350	SFWHI350/135/100	135	350
	400	SFWHI400/135/100	135	400
2ply 70	220	SFWHI225/142/100	142	225
	240	SFWHI240/142/100	142	240
	300	SFWHI300/142/100	142	300
	350	SFWHI350/142/100	142	350
2ply 72	195	SFWHI195/146/100	146	195
	220	SFWHI225/146/100	146	225
	235	SFWHI235/146/100	146	235
	245	SFWHI245/146/100	146	245
2ply 75	195	SFWHI195/152/100	152	195
	220	SFWHI225/152/100	152	225
	235	SFWHI235/152/100	152	235
	240	SFWHI240/152/100	152	240
2ply 89 or 178	195	SFWHI195/180/100	180	195
	200	SFWHI200/180/100	180	200
	220	SFWHI225/180/100	180	225
	235	SFWHI235/180/100	180	235
	245	SFWHI240/180/100	180	240
	300	SFWHI300/180/100	180	300
	350	SFWHI350/180/100	180	350
	400	SFWHI400/180/100	180	400
2ply 90	220	SFWHI225/184/100	184	225
	240	SFWHI240/184/100	184	240
	300	SFWHI300/184/100	184	300
	350	SFWHI350/184/100	184	350
2ply 97	195	SFWHI195/196/100	196	195
	220	SFWHI225/196/100	196	225
	235	SFWHI235/196/100	196	235
	245	SFWHI245/196/100	196	245
	300	SFWHI300/196/100	196	300
	350	SFWHI350/196/100	196	350
	400	SFWHI400/196/100	196	400
	450	SFWHI450/196/100	196	450