

SFLHI Safety Fast Lite Hanger

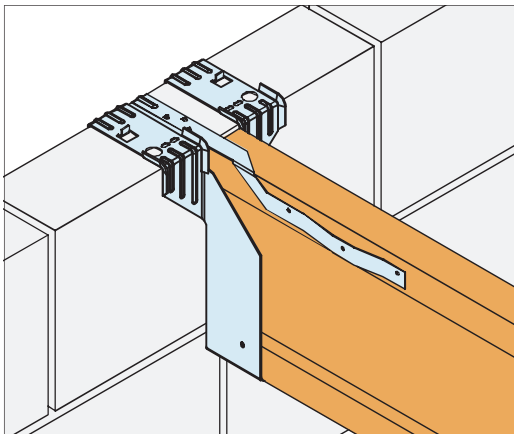
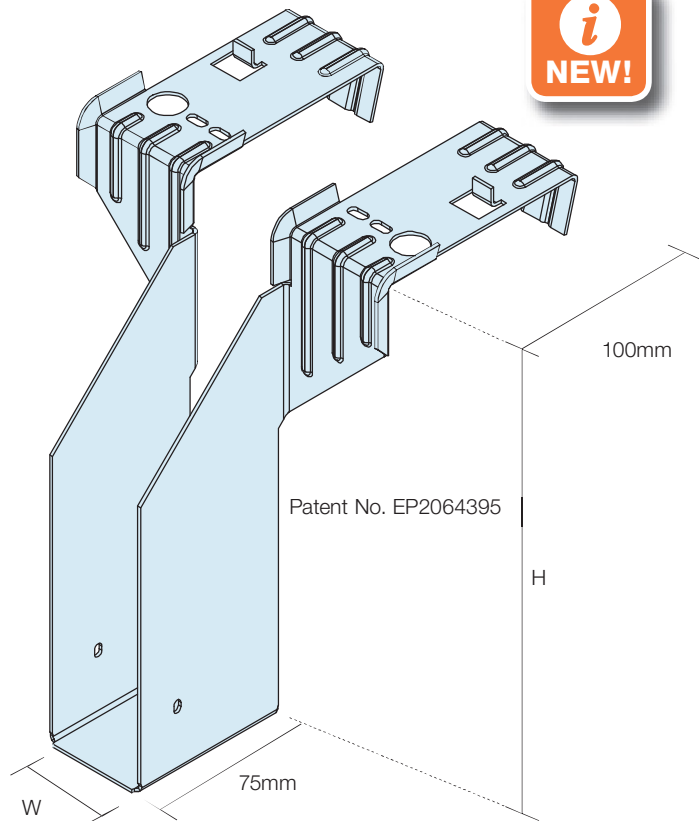


The SFLHI is an innovative single piece hanger designed to support timber joists from masonry walls without the need for masonry above the course of blockwork supporting the hanger.

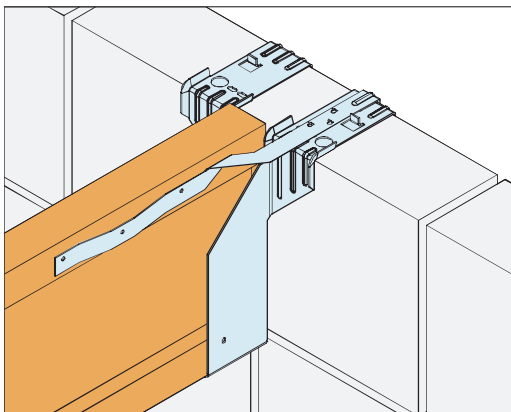
The SFLHI has been designed to assist in meeting the air leakage requirements as part of the Code for Sustainable Homes. Since the joist is supported by a hanger and does not penetrate the inner leaf of blockwork, the potential for air leakage is reduced and avoids the time consuming and costly mortaring and sealing with mastic around built in joist ends.

This hanger allows construction work to continue safely just 3 days after the supporting blockwork has been laid - as opposed to 28 days in the case of traditional masonry hangers.

The SFLHI is CE marked, meeting the requirements EN 845-1.



SFLHI joist hanger used in conjunction with FMS strap.



SFLHI joist hanger used in conjunction with FMSC strap.

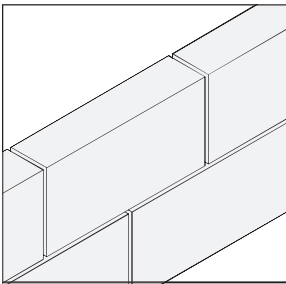
Features and Benefits

- Avoids joist penetrating blockwork, minimising air leakage.
- Achieves published performance values with no masonry above the supporting course of blockwork.
- Enables the construction of the floor deck prior to the next lift of masonry.
- Reduces health & safety risks associated with the use of traditional masonry hangers with no masonry courses above them.
- Eliminates the need for propping to support the joist.
- Web stiffeners are not required with I-Joists to achieve published performance values.
- Use FMS strap range with every hanger spaced up to 600mm centres to provide lateral restraint of the floor joist in accordance with EN845-1.
- CE Approved: meets the requirements of EN845-1 and tested in accordance with EN 846-8.
- Material: Z600 zinc coated steel in accordance with EN10346:2009.

SFLHI Safety Fast Lite Hanger



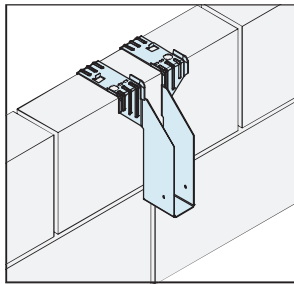
1



Step 1: Build masonry to the required level, ensuring any coursing bricks or blocks are at least one course below the supporting block.

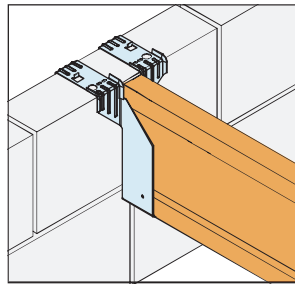
Leave the masonry to cure for at least three days.

2



Step 2: Place the Safety Fast Lite Masonry Hanger for I-Joists (SFLHI) over the inner leaf of the blockwork, ensuring the top flanges are fully bearing onto the top of the supporting blockwork and are also tight against the front face of the blockwork.

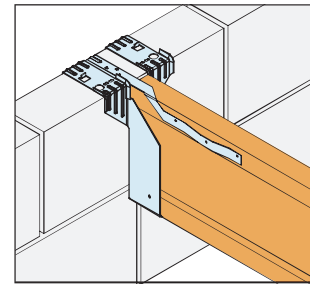
3



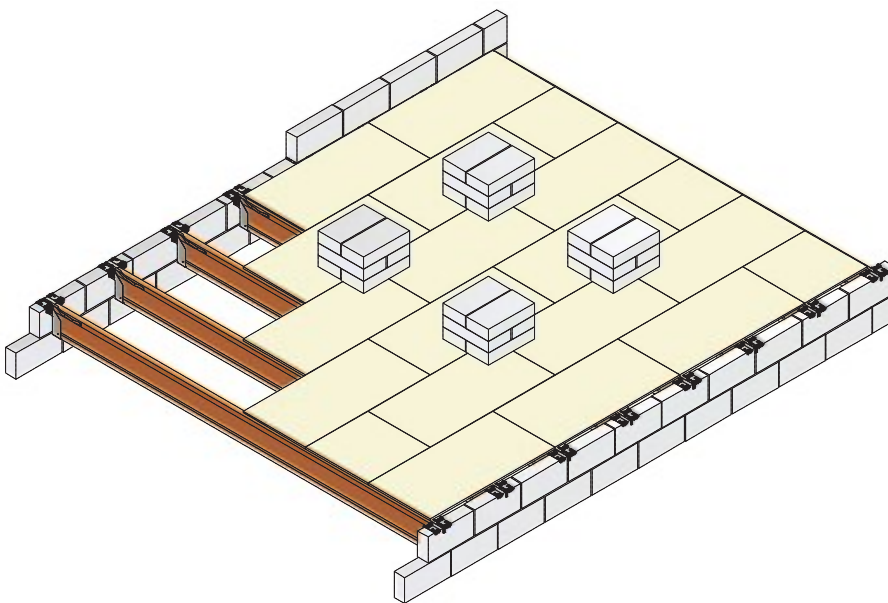
Step 3: Install the floor joist into the SFLHI, ensuring the gap between the end of the joist and the blockwork is a maximum of 6mm.

Install the specified joist nails (see table below).

4



Step 4: Install the appropriate restraint strap (see note 1 at bottom of page), ensuring the strap is tight against the back face of the blockwork/hanger return and the side of the floor joist. Fix with fasteners as specified in the table below.



About working on the floor prior to the next lift of masonry:

1. The floor decking may be stored on the joists provided the load is uniformly distributed among several joists and does not exceed the hanger or joist capacities. Refer to joist manufacturer or supplier for joist capacity and maximum construction loads.
2. The floor decking must be securely attached to each joist before additional loads can be placed on the system.
3. Pallets of blocks or other construction material should be placed onto the scaffolding and not directly onto the floor. The materials can then be evenly distributed around the floor manually, ensuring the hanger or joist capacities are not exceeded.

For example, total number of blocks per pair of joists (4 hangers) @ 600 c/c:

- 2.8N/mm² AAC = 24
- 3.5N/mm² AAC = 20
- 7.0N/mm² DAC = 16

SFLHI - Safety Fast Lite Masonry Hanger for I-Joist Performance Data									
Size Range		Joist Fastener Qty 3.75mm x 30mm Square Twist Nail		Safe Working Loads (kN)			Characteristic Capacity (kN)		
				Block Strength			Block Strength		
Height (mm)	Width (mm)	Hanger	FMS ⁽¹⁾ Strap	2.8N/mm ² Solid AAC	3.5N/mm ² Solid AAC	7.0N/mm ² Solid DAC	2.8N/mm ² Solid AAC	3.5N/mm ² Solid AAC	7.0N/mm ² Solid DAC
100 - 400	35 - 97	2	3	4.5	4.5	4.5	7.9	7.9	7.9

Please note:

1. Appropriate variant from FMS strap range, depending on connection detail - refer to FMS content on page 126.
2. Performance values are with **NO** masonry above supporting blockwork.

SFLHI Safety Fast Lite Hanger



SFLHI Hanger Sizes

Joist Size		SFLHI Model No.	Hanger Dimension (mm)	
Width	Height		Height (H)	Width (W)
38	200	SFLHI200/40	200	40
	220	SFLHI225/40	225	
	240	SFLHI240/40	240	
	300	SFLHI300/40	300	
45	195	SFLHI195/47	195	47
	200	SFLHI200/47	200	
	220	SFLHI225/47	225	
	240	SFLHI240/47	240	
	245	SFLHI245/47	245	
	300	SFLHI300/47	300	
	350	SFLHI350/47	350	
	360	SFLHI360/47	360	
47	195	SFLHI195/50	195	50
	220	SFLHI225/50	225	
	235	SFLHI235/50	235	
	240	SFLHI240/50	240	
	245	SFLHI245/50	245	
	300	SFLHI300/50	300	
	350	SFLHI350/50	350	
	400	SFLHI400/50	400	
51	240	SFLHI240/53	240	53
	300	SFLHI300/53	300	
	350	SFLHI350/53	350	
58 or 60	195	SFLHI195/61	195	61
	220	SFLHI225/61	225	
	235	SFLHI235/61	235	
	240	SFLHI240/61	240	
	245	SFLHI245/61	245	
	300	SFLHI300/61	300	
	350	SFLHI350/61	350	
	400	SFLHI400/61	400	
63 or 65	195	SFLHI195/66	195	66
	220	SFLHI225/66	220	
	235	SFLHI235/66	235	
	240	SFLHI240/66	240	
	245	SFLHI245/66	245	
	300	SFLHI300/66	300	
	350	SFLHI350/66	350	
	400	SFLHI400/66	400	

Joist Size		Model No.	Hanger Dimension (mm)	
Width	Height		Height (H)	Width (W)
70	220	SFLHI225/72	225	72
	240	SFLHI240/72	240	
	300	SFLHI300/72	300	
	350	SFLHI350/72	350	
	360	SFLHI360/72	360	
	400	SFLHI400/72	400	
72	220	SFLHI225/75	225	75
	240	SFLHI240/75	240	
	300	SFLHI300/75	300	
	350	SFLHI350/75	350	
	400	SFLHI400/75	400	
2ply 38 or 75	200	SFLHI200/78	200	78
	220	SFLHI225/78	225	
	240	SFLHI240/78	240	
89 or 90	200	SFLHI200/91	200	91
	220	SFLHI225/91	225	
	240	SFLHI240/91	240	
	300	SFLHI300/91	300	
	350	SFLHI350/91	350	
	360	SFLHI360/91	360	
	400	SFLHI400/91	400	
	450	SFLHI450/91	450	
97	195	SFLHI195/100	195	100
	220	SFLHI225/100	225	
	235	SFLHI235/100	235	
	245	SFLHI245/100	245	
	254	SFLHI254/100	254	
	300	SFLHI300/100	300	
	350	SFLHI350/100	350	
	400	SFLHI400/100	400	