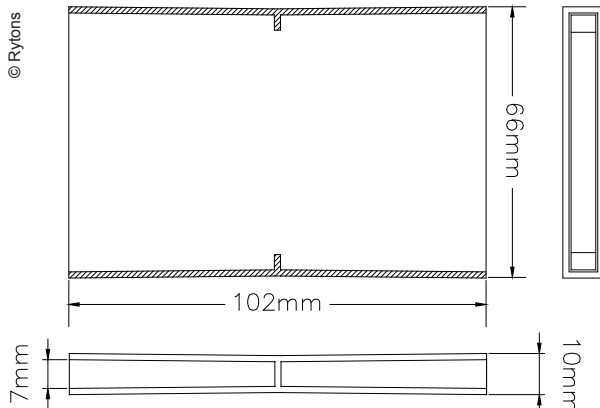


Technical Data Sheet

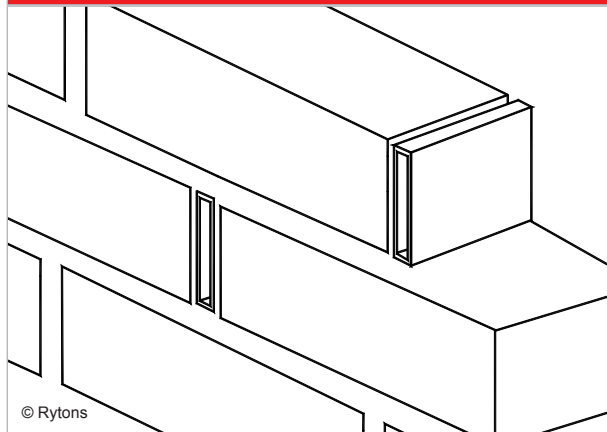
Rytons Slim Vent® Minor



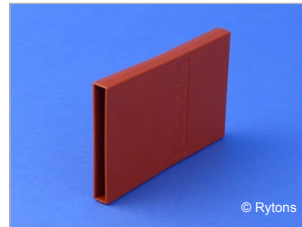
Dimensional Drawing



In-Situ Line Drawing



In-Situ Drawing



Code: Rytons SVMIN

The ORIGINAL perpend cavity ventilator for use in timber frame and traditional build.

Features and Benefits

- Open faced to give maximum airflow and prevent clogging by paint and airborne debris.
- Huge airflow allows fitting at the maximum 1.2m centres in Scotland and approximately every third brick to NHBC Standards, giving a cost efficient advantage.
- Unique internal water baffles and specially tapered surfaces prevent water transfer and make the vent an effective weep hole for drainage.
- Simple design allows quick and easy fitting with no special brickwork required.
- Clean lines maintain the aesthetic appearance of the building.
- BBA approved – your independent assurance that the product meets building regulations and standards and will last.
- To protect the outlet from blockage during rendering or water penetration during flooding use Rytons DamRyt® Slim Vent® Protector (code: DAMSLIMVENT).

Independent Approvals and Testing



NBS Plus Clause References



F30 - 8, 132, 175

Insert Rytons NBS Plus data straight into your project specifications free of charge at www.vents.co.uk.

Product Details

Free Area:	330mm ² per unit.
Size:	102mm (L) x 66mm (H) x 10mm (W). Allows 6mm venting gap. AutoCAD drawing available by email.
Colours:	Terracotta, buff/sand, white.
Composition:	High impact polystyrene.

Technical Data Sheet

Rytons Slim Vent® Minor



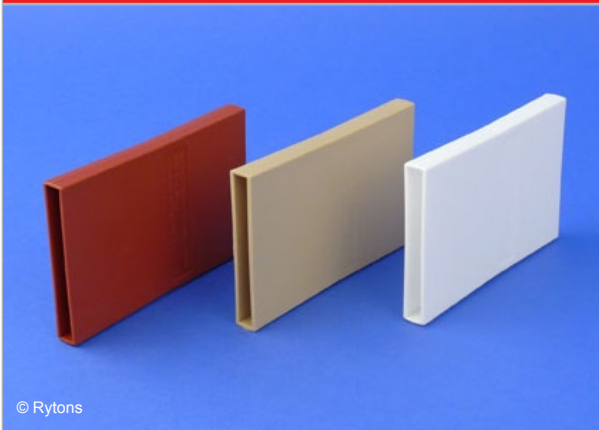
Colour Key

Terracotta

Buff/Sand

White

Images



© Rytons

Rytons Slim Vent® Minor: Terracotta, Buff/Sand, White.



© Rytons

Rytons Slim Vent® Minor on a Miller Homes (Scotland) site.

More images and videos available at www.vents.co.uk

Specification Paragraph

Manufacturer: Rytons Building Products Ltd
T: 01536 511874, F: 01536 310455, E: admin@rytons.com
Visit our website at www.vents.co.uk
Product ref:

- Rytons Slim Vent® Minor Terracotta (ref SVMINTC to BBA 11/4866)
- Rytons Slim Vent® Minor Buff/Sand (ref SVMINBS to BBA 11/4866)
- Rytons Slim Vent® Minor White (ref SVMINWH to BBA 11/4866)

Installation

Installation is fast and easy as work proceeds with the Slim Vent® replacing the vertical mortar joint. Space approximately every third brick at the top and bottom of the cavity wall to ventilate the cavity and assist in the drying out of the wall. Lower ventilators should be placed below the dpc, unless cavity trays are used when they should be positioned above the tray. Vertically stagger vents when placing them above and below horizontal fire stops.

UK Regulations, Standards and Guidelines

NHBC Standards

6.2 - D4 (c) Ventilation openings should be equivalent to open brick perpend every 1.2m (i.e. 650mm² free air every 1.2m). These openings can also provide drainage of the cavity. *Rytons Slim Vent® Minors are effective weep holes.*

The Building (Scotland) Regulations - Domestic

Masonry outer leaf 3.10.6 Where the outer leaf is a masonry construction, cavities should be vented to the outside air by installing ventilators with at least 300 mm² free opening area at 1.2 m maximum centres. Precipitation, i.e. rain, snow and sleet, can penetrate the outer leaf of an external wall and cavities are normally drained through weep holes. These weep holes can also provide the necessary venting. *Rytons Slim Vent® Minors are effective weep holes.*

Other Reference Material

British Standards BS 5250:2002.

"Not all manufacturers' weep holes have the capability to provide the necessary venting. Check the air space of your weep vent, check your spacing!"

Handling Information

Box quantity: 100 number.
Box size: 26cm (W) x 22.5cm (H) x 15cm (D).
Box weight: 2.2kg.

Questions

Do Rytons Slim Vents® require flyscreens?

BBA, NHBC, BSI and Zurich confirm Slim Vents® **DO NOT** require insect screens to perform effectively.

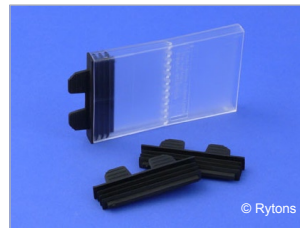


Please recycle printouts.

Technical Data Sheet

Rytons Slim Vent® Minor Accessories

Rytons DamRyt® Slim Vent® Protector



Code: Rytons DAMSLIMVENT

A simple plug for Rytons Slim Vent® Minor and Flyscreened Slim Vent® Minor (pictured). Protects the outlet from blockage during rendering or water penetration during flooding.

Features and Benefits

- **Fit before rendering to prevent the outlet becoming blocked.**
- **Alleviates the time consuming task of finding and cleaning out vents later.**
- **Prepare for flooding by fitting when on flood alert. Minimises much of the damage caused by flood water entering through the cavity.**
- **Quick and simple to fit with no fixing tools necessary.**
- **Flange aids correct positioning and helps prevent seepage.**
- **Double handgrip helps achieve a tight fit on installation and easy removal after use.**
- **Made from durable material for use time and time again.**

See Rytons DAMSLIMVENT technical data sheet for full details.

Flood Advice

For England and Wales visit:
www.environment-agency.gov.uk/homeandleisure/floods
For Scotland visit: www.sepa.org.uk/flooding



Please recycle printouts.

